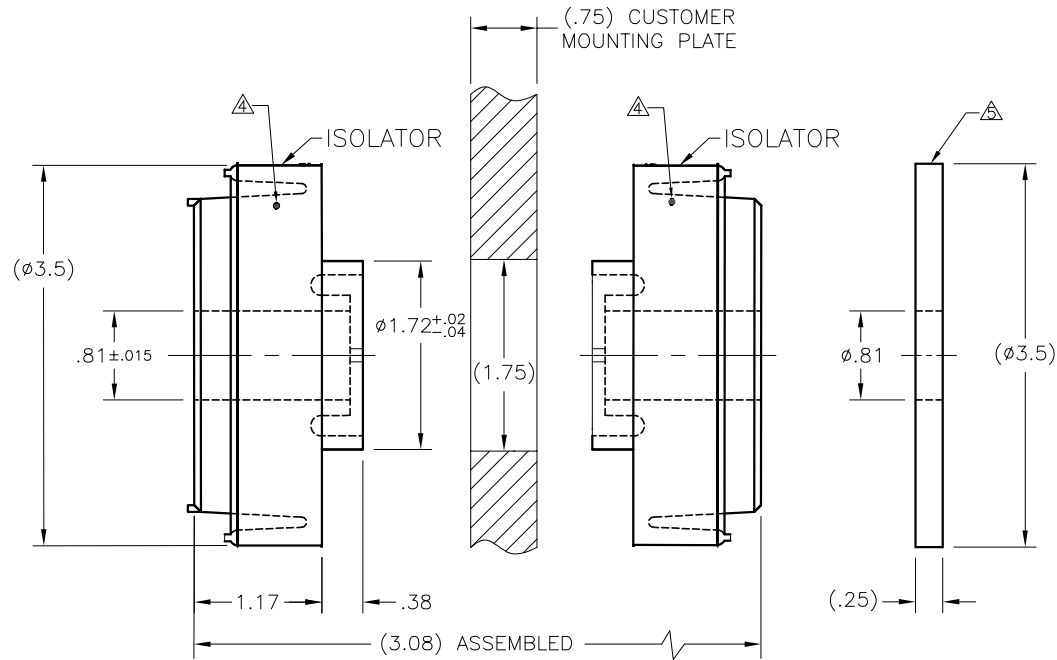
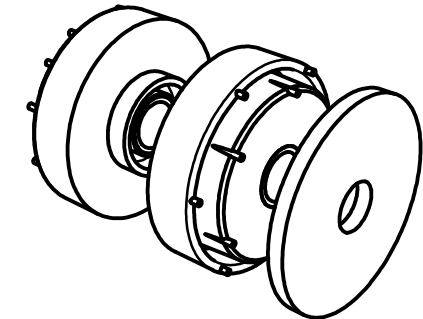


| REV. | DESCRIPTION | DATE | BY |
|------|-------------|------|----|
|      |             |      |    |



| PART NUMBER    | MODEL     | COLOR CODE    | MATERIAL | AXIAL STATIC RATED LOAD POUNDS |
|----------------|-----------|---------------|----------|--------------------------------|
| 111A-100929-01 | SB4-525   | BLUE          | NEOPRENE | 525                            |
| 111A-100929-02 | SB4-625   | BROWN         | NEOPRENE | 625                            |
| 111A-100929-03 | SB4-725   | RED           | NEOPRENE | 725                            |
| 111A-100929-04 | SB4-825   | GREEN         | NEOPRENE | 825                            |
| 111A-100929-05 | SB4-1025  | GRAY          | NEOPRENE | 1025                           |
| 111A-100929-06 | SB4-1325  | PURPLE        | NEOPRENE | 1325                           |
| 111A-100929-11 | SB-525WR  | LIGHT BLUE    | DURULENE | 525                            |
| 111A-100929-12 | SB-625WR  | DARK BROWN    | DURULENE | 625                            |
| 111A-100929-13 | SB-725WR  | RUST RED      | DURULENE | 725                            |
| 111A-100929-14 | SB-825WR  | LIGHT GREEN   | DURULENE | 825                            |
| 111A-100929-15 | SB-1025WR | CHARCOAL GRAY | DURULENE | 1025                           |
| 111A-100929-16 | SB-1325WR | PURPLE        | DURULENE | 1325                           |



NOTES;

- MOLDED RUBBER AND STEEL MOUNT FOR FAIL SAFE INDUSTRIAL AND COMMERCIAL APPLICATIONS WHEN PROPERLY INSTALLED. MOUNT CONSIST OF TWO IDENTICAL BUSHINGS.
- INSTALL IN A  $\phi 1.75$ " MIN. HOLE THRU A .75" THK MOUNTING PLATE
- DESIGNED FOR USE WITH A  $\phi 3/4$ " BOLT, TO BE TIGHTENED TO A MAXIMUM TORQUE OF 2400 IN-LB (ACTUAL TORQUE TO BE DETERMINED BY END-USER)
- COLOR CODE INDICATES MODEL AND LOAD RATING PER TABLE. FOR BLACK NEOPRENE MODELS COLOR CODE IS REPRESENTED AS A DOT LOCATED AS ILLUSTRATED. DURULENE MODEL COLOR CODE IS SOLID COLOR NO DOT IS REQUIRED.
- ZINC PLATED SNUBBING WASHER P/N 148099-23 INCLUDED UNLESS SPECIFICALLY ORDERED OTHERWISE.
- DIMENSIONS IN ( ) ARE FOR REFERENCE ONLY.

OTHER MATERIALS, COMPOUNDS, OR FINISHES WITH EQUAL OR SUPERIOR PROPERTIES MAY BE SUBSTITUTED AS THEY BECOME AVAILABLE.



**CERTIFIED FOR:**

JOB NAME: \_\_\_\_\_  
 CUSTOMER: \_\_\_\_\_  
 CUSTOMER P.O.: \_\_\_\_\_  
 SALES ORDER: \_\_\_\_\_

**MODEL SB4 525-1325 LBS.  
 ELASTOMERIC INTERNALLY  
 SNUBBED ISOLATOR**



**VMC  
 GROUP**

**THE POWER OF TOGETHER™**

Bloomington, NJ 07403  
 Houston, TX 77041

SCALE :

NONE

SHEET:

1 OF 1



DRAWING NO.:

REVISION